

5 Spare Parts & Seal Kits










Page

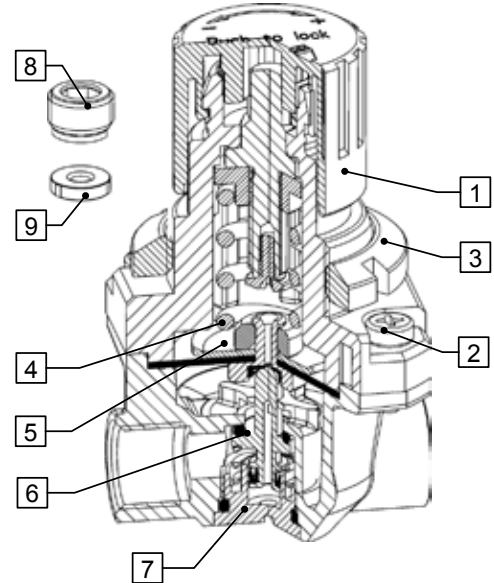
Series M	Spare Parts REGULATORS	222
Series N	Spare Parts FILTERS and COALESCING-FILTERS	222
Series N	Spare Parts REGULATORS	223
Series N	Spare Parts LUBRICATORS	223
Series N	Spare Parts FILTER-REGULATORS	224
Series MC	Spare Parts FILTERS and COALESCING-FILTERS	224
Series MC	Spare Parts REGULATORS	225
Series MC	Spare Parts LUBRICATORS	225
Series MC	Spare Parts FILTER-REGULATORS	226
Series MC	Spare Parts MANIFOLD REGULATORS	227
Series MC	Spare Parts MANUAL LOCK-OUT VALVES	227
Series MC	Spare Parts ELECTRONIC SHUT-OFF VALVES	228
Series MC	Spare Parts SOFT-START VALVES	228
Series MX	Spare Parts FILTERS and COALESCING FILTERS	229
Series MX	Spare Parts MANUAL LOCK-OUT VALVES	229
Series MX	Spare Parts FILTER-REGULATORS	230
Series MX	Spare Parts REGULATORS	231
Series MX	Spare Parts LUBRICATORS	232
Series MX	Spare Parts ELECTRONIC SHUT-OFF VALVES	232
Series MX	Spare Parts SOFT-START VALVES	233
Series T	Spare Parts REGULATORS	233

Spare Parts and Seal Kits

5



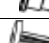





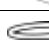

Spare Parts REGULATORS Series M

Pos.	Drawing	Description	M008 / M004
1		Complete bell with regulation screw	MC1-R2
2		Bell fixing screw	C104-R28
3		Panel nut	MC104-R22
4		Spring 1 bar	C104-R16/2
		Spring 2 bar	C104-R16/1
		Spring 4 bar	C104-R16
		Spring 7 bar	C104-R16/5
		Spring 10 bar	C104-R17
5		Complete standard diaphragm	C1-R27
		Complete diaphragm non-relieving	C1-R28
		Complete diaphragm with controlled leak	C1-R27/S
6		Complete standard poppet valve	M0-R32/4
		Complete poppet-valve with exhaust.	M0-R32/5
7		Complete valve bearing tap	M0-R9/1
8		Rear screw for pressure gauge connection	MC104-R9
9		Special O-ring seal	C104-F30/1

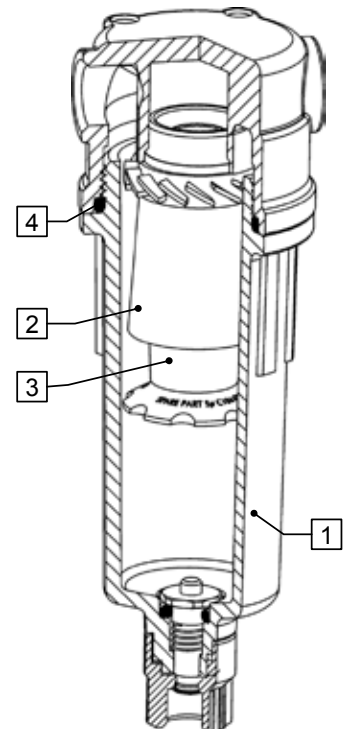


SPARE PARTS AND SEAL KITS









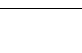
Spare Parts FILTERS and COALESCING-FILTERS Series N

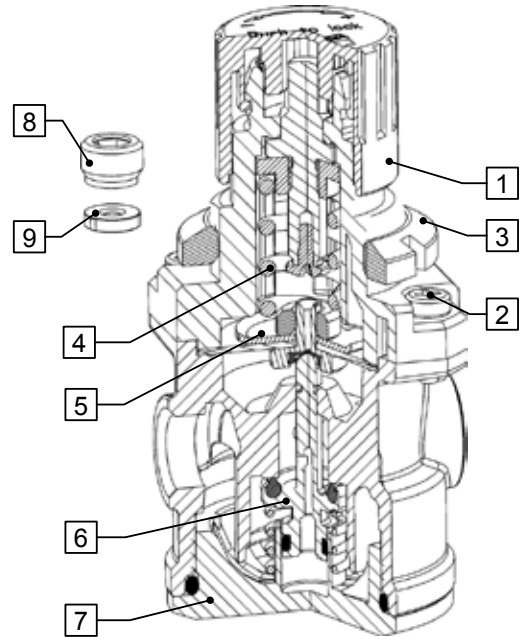
Pos.	Drawing	Description	N108 / N104	N 208 / N204
1		Complete bowl with semiautomatic-manual drain	N1-F71	N2-F71
-		Complete bowl with depressuration drain	N/A	N2-F71/2
-		Seal for depressuration drain	N/A	C104-F76
-		Shutter for depressuration drain	N/A	C104-F73
-		Complete bowl with protected depressuration drain	N/A	N2-F71/1
-		Complete bowl with port 1/8 (without drain)	N1-F71-1/8	N2-F71-1/8
2		* Complete filtering element 25µ	C1-F20/3	C1-F20/3
		* Complete filtering element 5µ	C1-F21/3	C1-F21/3
3		* Filtering element 25µ	C104-F20/3	C104-F20/3
		* Filtering element 5µ	C104-F21/3	C104-F21/3
-		** Filtering element 0,01µ	C104-F26	C104-F26
4		Standard bowl O-ring	N204-F25	N204-F25

* = for filter only
 ** = for coalescing-filter only



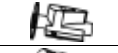

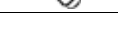


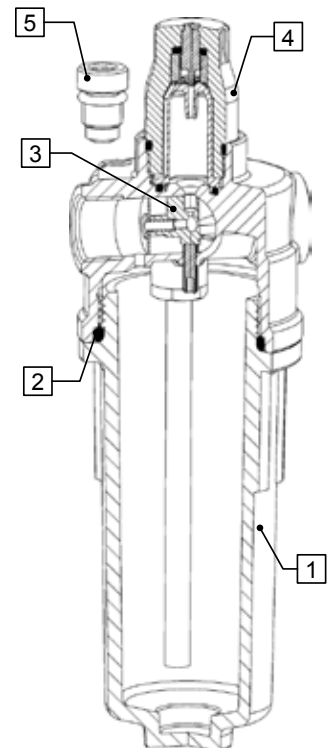
Spare Parts REGULATORS Series N

Pos.	Drawing	Description	N1208 / N1204
1		Complete bell with regulation screw	MC1-R2
2		Bell fixing screw	C104-R28
3		Panel nut	MC104-R22
4		Spring 1 bar	C104-R16/2
		Spring 2 bar	C104-R16/1
		Spring 4 bar	C104-R16
		Spring 7 bar	C104-R16/5
5		Complete standard diaphragm	C1-R27
		Complete diaphragm non-relieving	C1-R28
		Complete diaphragm with controlled leak	C1-R27/S
6		Complete standard poppet valve	N2-R32
7		Complete valve bearing tap	N204-R3/3
8		Rear screw for pressure gauge connection	MC104-R9
9		Special O-ring seal	C104-F30/1



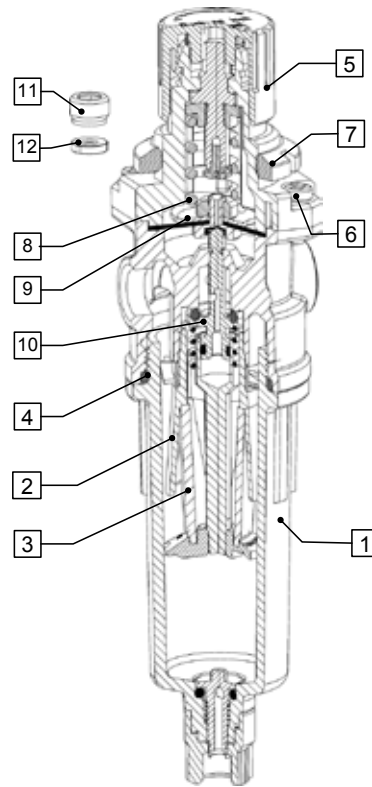
Spare Parts LUBRICATORS Series N

Pos.	Drawing	Description	N108	N104	N208	N204
1		Complete bowl	N1-L71	N1-L71	N2-L71	N2-L71
2		Standard bowl O-ring	N204-F25	N204-F25	N204-F25	N204-F25
3		Complete Venturi system	NA	MC1-L8	NA	MC1-L8
4		Complete lubricator cap	MC1-L24	MC1-L24	MC1-L24	MC1-L24
5		Complete oil refilling tap	C1-L34	C1-L34	C1-L34	C1-L34



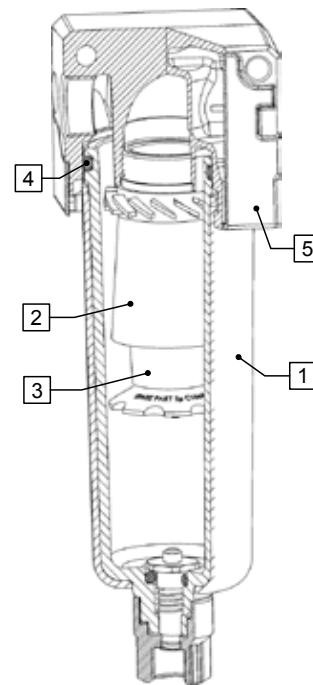
Spare Parts FILTER-REGULATORS Series N

Pos.	Drawing	Description	N108 / N104	N208 / N204
1		Complete bowl with semiautomatic-manual drain	N1-F71	N2-F71
-		Complete bowl with depressure drain	NA	N2-F71/2
-		Seal for depressuration drain	NA	C104-F76
-		Shutter poppet for depressuration drain	NA	C104-F73
-		Complete bowl with filter-protected depressuration drain	NA	N2-F71/1
-		Complete bowl with port 1/8, without drain	N1-F71-1/8	N2-F71-1/8
2		Complete filtering element 25µ	C1-F20/3	C1-F20/3
		Complete filtering element 5µ	C1-F21/3	C1-F21/3
3		Filtering element 25µ	C104-F20/3	C104-F20/3
		Filtering element 5µ	C104-F21/3	C104-F21/3
4		Standard bowl O-ring	N204-F25	N204-F25
5		Complete bell with regulation screw	MC1-R2	MC1-R2
6		Bell fixing screw	C104-R28	C104-R28
7		Panel nut	MC104-R22	MC104-R22













Spare Parts FILTERS and COALESCING-FILTERS Series MC

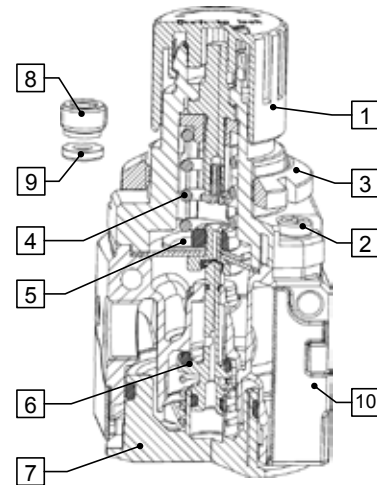
Pos.	Drawing	Description	MC104 Part #	MC238 / MC202 Part #
1		Complete bowl with semiautomatic-manual drain	MC1-F71	MC2-F71
-		Complete bowl with automatic drain	N/A	MC2-F71/3
-		Automatic drain	N/A	C238-FSA2
-		Complete bowl with depressuration drain	MC1-F71/2	N/A
-		Seal for depressuration drain	C104-F76	N/A
-		Shutter for depressuration drain	C104-F73	N/A
-		Complete bowl with protected depressuration drain	MC1-F71/1	MC2-F71/1
-		Complete bowl with port 1/8, without drain	MC1-F71-1/8(TF)	MC2-F71-1/8(TF)
2	*	Complete filtering element 25µ	C1-F20/3	C2-F11/3
		Complete filtering element 5µ	C1-F21/3	C2-F12/3
3	*	Filtering element 25µ	C104-F20/3	C238-F11/3
		Filtering element 5µ	C104-F21/3	C238-F12/3
-	**	Filtering element 0,01µ	C104-F26	MX2-F10
4		Standard bowl O-ring	C104-F9	C238-F4
5		Protection body without holes	MC104-F80	MC238-F80





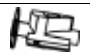




* = for filter only
 ** = for coalescing-filter only

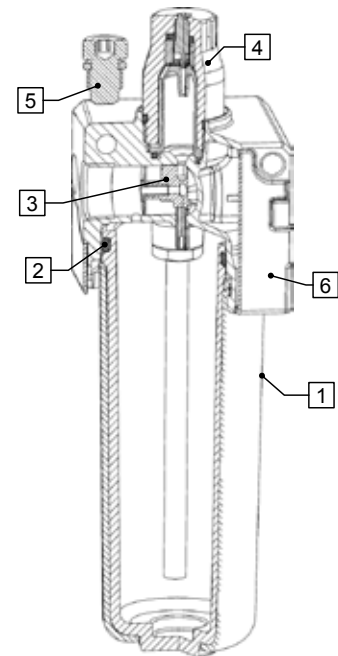
Spare Parts REGULATORS Series MC

Pos.	Drawing	Description	MC104	MC238 / MC202
1		Complete bell with regulation screw	MC1-R2	MC2-R25/1
2		Bell fixing screw	C104-R28	C238-R28/1
3		Panel nut	MC104-R22	MC238-R27
4		Spring 1 bar	C104-R16/2	NA
		Spring 2 bar	C104-R16/1	NA
		Spring 4 bar	C104-R16	MC238-R18
		Spring 7 bar	C104-R16/5	NA
5		Complete standard diaphragm	C1-R27	C2-R33
		Complete diaphragm non-relieving	C1-R28	C2-R34
		Complete diaphragm with controlled leak	C1-R27/S	NA
6		Complete standard poppet valve	C1-R32	MC2-R32
7		Complete valve bearing tap	MC1-R3	MC2-R3
8		Rear screw for pressure gauge connection	MC104-R9	MC104-R9
9		Special O-ring seal	C104-F30/1	C104-F30/1
10		Protection body with holes	MC104-D80	MC238-D80



Spare Parts LUBRICATORS Series MC

Pos.	Drawing	Description	MC104	MC238	MC202
1		Complete bowl	MC1-L71	MC2-L71	MC2-L71
2		Standard bowl O-ring	C104-F9	C238-F4	C238-F4
3		Complete Venturi system	MC1-L8	NA	NA
		Complete diaphragm	NA	MC2-L6	MC2-L6/1
3		"L01" Low Flow diaphragm	NA	C202-L6/1	C202-L6/1
4		Complete lubricator cap	MC1-L24	MC1-L24	MC1-L24
5		Complete oil refilling tap	C1-L34	MC2-L3	MC2-L3
6		Protection body without holes	MC104-F80	MC238-F80	MC238-F80

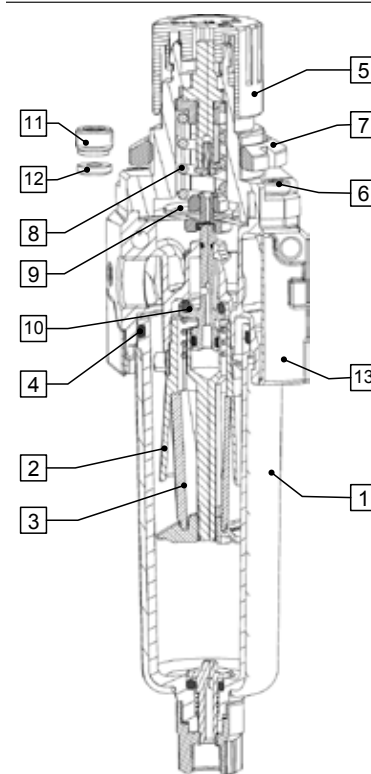


Spare Parts FILTER-REGULATORS Series MC

5

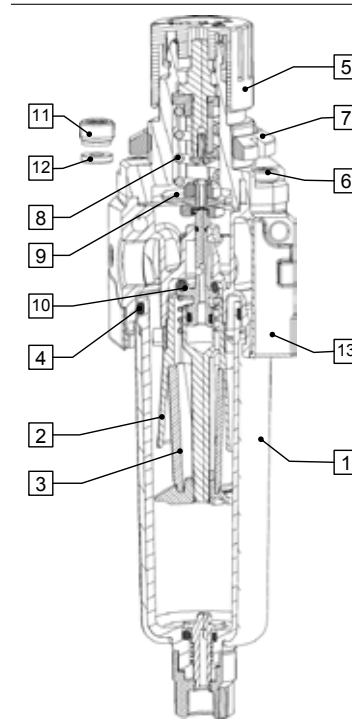
SPARE PARTS AND SEAL KITS

Pos.	Drawing	Description	MC104	MC238 / MC202
1		Complete bowl with semiautomatic-manual drain	MC1-F71	MC2-F71
-		Complete bowl with automatic drain	NA	MC2-F71/3
-		Automatic drain	NA	C238-FSA2
-		Complete bowl with depressure drain	MC1-F71/3	NA
-		Seal for depressuration drain	C104-F76	NA
-		Shutter poppet for depressuration drain	C104-F73	NA
-		Complete bowl with filter-protected depressuration drain	MC1-F71/1	MC2-F71/1
-		Complete bowl with port 1/8, without drain	MC1-F71-1/8 (TF)	MC2-F71-1/8 (TF)
2		Complete filtering element 25µ	C1-F20/3	C2-F11/3
		Complete filtering element 5µ	C1-F21/3	C2-F12/3
3		Filtering element 25µ	C104-F20/3	C238-F11/3
		Filtering element 5µ	C104-F21/3	C238-F12/3
4		Standard bowl O-ring	C104-F9	C238-F4
5		Complete bell with regulation screw	MC1-R2	MC2-R25/1











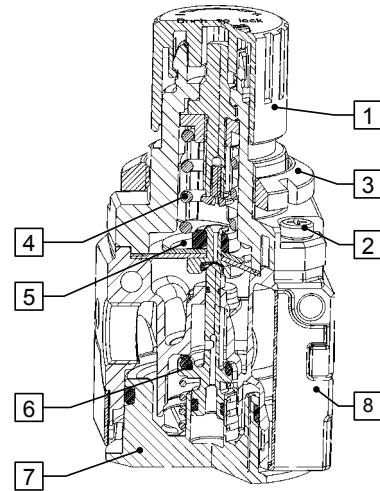
Spare Parts FILTER-REGULATORS Series MC cont.

Pos.	Drawing	Description	MC104	MC238 / MC202
6		Bell fixing screw	C104-R28	C238-R28/1
7		Panel nut	MC104-R22	MC238-R27
8		Spring 1 bar	C104-R16/2	NA
		Spring 2 bar	C104-R16/1	NA
		Spring-4 bar	C104-R16	MC238-R18
		Spring 7 bar	C104-R16/5	NA
9		Complete standard diaphragm	C1-R27	C2-R33
		Complete diaphragm non-relieving	C1-R28	C2-R34
		Complete diaphragm with controlled leak	C1-R27/S	NA
10		Complete standard poppet valve	C1-R32	MC2-R32
11		Rear screw for pressure gauge connection	MC104-R9	MC104-R9
12		Special O-ring seal	C104-F30/1	C104-F30/1
13		Protection body with holes	MC104-D80	MC238-D80


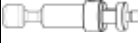







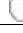



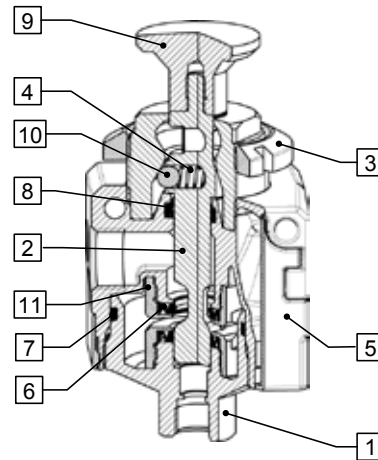
Spare Parts MANIFOLD REGULATORS Series MC

Pos.	Drawing	Description	MC104
1		Complete bell with regulation screw	MC1-R2
2		Bell fixing screw	C104-R28
3		Panel nut	MC104-R22
4		Spring 1 bar	C104-R16/2
		Spring 2 bar	C104-R16/1
		Spring 4 bar	C104-R16
		Spring 7 bar	C104-R16/5
5		Complete standard diaphragm	C1-R27
		Complete diaphragm non-relieving	C1-R28
		Complete diaphragm with controlled leak	C1-R27/S
6		Complete standard poppet valve	C1-R32
7		Complete valve bearing tap	MC1-R3
8		Protection body with holes	MC104-M80



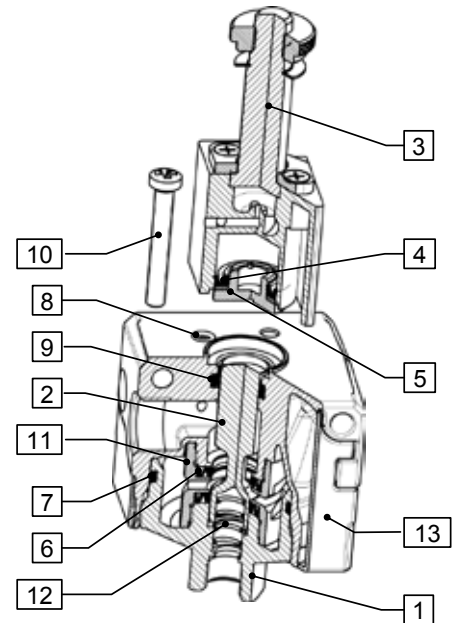
Spare Parts MANUAL LOCK-OUT VALVES Series MC

Pos.	Drawing	Description	MC104	MC238 / MC202
1		Complete valve bearing end-cover	MC1-V3/1 (TF)	MC2-V3/1 (TF)
2		Standard valve spool	MC104-V7/1-SPE01	MC238-V7/1-SPE02
3		Panel nut	MC104-R22	MC104-R22
4		Valve spring	MC104-V6/1	MC238-V6/1
5		Protection body without heloes	MC104-F80	MC238-F80
6		Spool lip-seal 'airzet' seal	454-33/8	452-33/8
7		Standard valve bearing end-cover O-Ring	OR 32X2	C238-F4
8		Polyurethane piston rod seal	20-31/3	50-31/3
9		Grey Knob	MC104-V10	MC104-V10
10		Stainless steel ball bearing detent	SFERA D. 4,74	SFERA D. 4,74
11		Valve nut	MC104-V4	MC238-V4



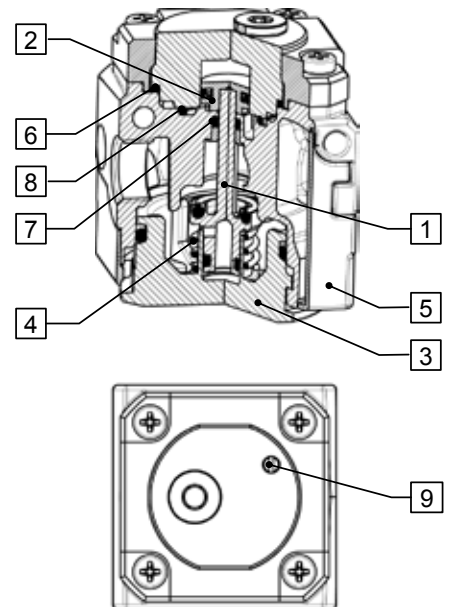
Spare Parts ELECTRONIC SHUT-OFF VALVES Series MC

Pos.	Drawing	Description	MC104	MC238 / MC202
1		Complete valve end-cover	MC1-V3/1 (TF)	MC2-V3/1 (TF)
2		Standard valve spool	MC104-V7	MC238-V7
3		Air-pilot end-cover	308-033/16	454-33/28
		Solenoid end-cover	338-015/4C	454-011/15C
4		DE pilot lip-seal	-	454-33/6
5		Pilot piston	-	454-33/23
6		Spool lip-seal 'airzet' Seal	454-33/8	454-33/8
7		Valve end-cover standard O-Ring	OR 32X2	C238-F4
8		Pilot end-cover seal	308-011/5	-
		Pilot end-cover seal	-	454-33/7
9		Polyurethane piston rod seal	20-31/3	50-31/3
10		Pilot end-cover assembly screw	308-015/22	308-015/22
11		Valve Nut	MC104-V4	MC104-V4
12		Valve spring	MC104-V6	MC104-V6
13		Protection body without holes	MC104-F80	MC238-F80



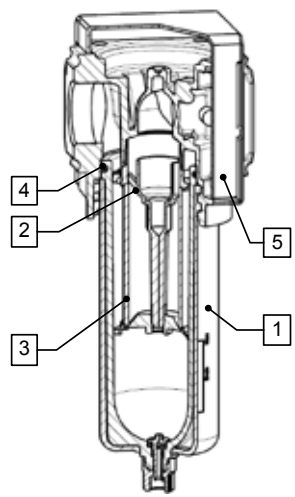
Spare Parts SOFT-START VALVES Series MC

Pos.	Drawing	Description	MC104	MC238 / MC202
1		Complete Poppet Valve	MC1-AV7	MC2-AV7
2		Complete Piston	MC1-AV5	MC2-AV5
3		Complete Valve bearing end-cover	MC1-R3	MC2-R3
4		Poppet Spring	C104-R5	C238-R6
5		Protection body cover without holes	MC104-F80	MC238-F80
6		End cover O-Ring	OR 2112 NBR	OR 41X1,78 NBR
7		Poppet O-Ring	6702 4	OR 6,07X1,8 NBR
8		Soft start valve body O-Ring	OR 2068 NBR	OR 2112 NBR
9		Complete Regulation Screw	MC1-AV3	MC2-AV3



Spare Parts FILTERS and COALESCING FILTERS Series MX

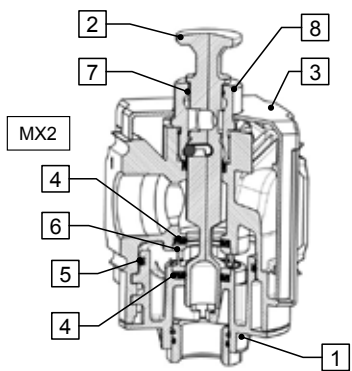
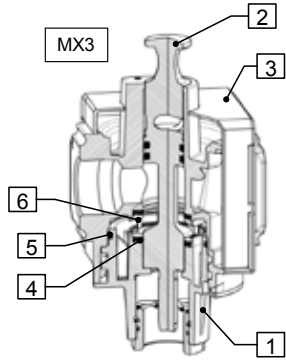
Pos.	Drawing	Description	MX1	MX2	MX3
1		Complete bowl with semiautomatic-manual drain		MX2-F2-P	MX3-F2-P
-		Complete bowl with automatic drain		MX2-F2/1-P	MX3-F2/1-P
-		Automatic drain		C238-FSA2	C238-FSA2
-		Complete bowl with depressuration drain		N/A	N/A
-		Seal for depressuration drain		N/A	N/A
-		Shutter for depressuration drain		N/A	N/A
-		Complete bowl with protected depressuration drain		MX2-F2/3-P	N/A
-		Complete bowl with port 1/8, without drain		MX2-F2/2-P	MX3-F2/2-P
2		* Complete filtering element 25µ		C2-F11/3	MX3-F7-P
		* Complete filtering element 5µ		C2-F12/3	MX3-F8-P
3		* Filtering element 25µ		C238-F11/3	MX3-F7
		* Filtering element 5µ		C238-F12/3	MX3-F8
-		** Filtering element 0,01µ		MX2-F10	MX3-F10
		** Filtering element 1µ		MX2-F9	MX3-F9
		*** Active carbon filt. Elem.		MX2-F11	MX3-F11
4		Standard bowl O-ring		OR 3193 NBR	OR 3212 NBR
5		Protection body without holes		MX2-F4	MX3-F4



* = for filter only
 ** = for coalescing-filter only
 *** = for active carbon-filter only

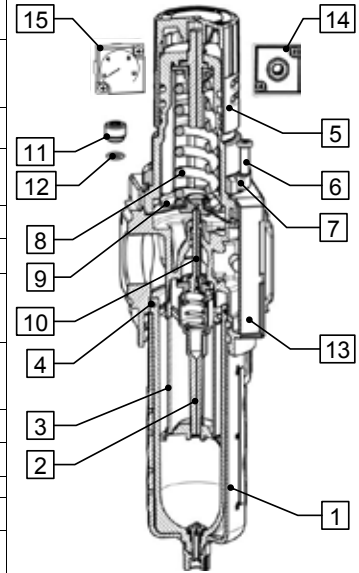
Spare Parts MANUAL LOCK-OUT VALVES Series MX

Pos.	Drawing	Description	MX1	MX2	MX3
1		GAS ISO-228		MX2-V3-P	MX3-V3/2-P
		NPTF		MX2-V3-P-TF	MX3-V3/2-P-TF
2		Complete spool		MX2-V8-P	MX3-V8-P
3		Protection body without holes		MX2-B4	MX3-V4
4		Spool lip seal "Z" profile seal		452-33/8	MX3-V7
5		Standard valve end cover O-Ring		OR 3193 NBR	OR 3212 NBR
6		Valve spacer		MX2-V6	MX3-V6



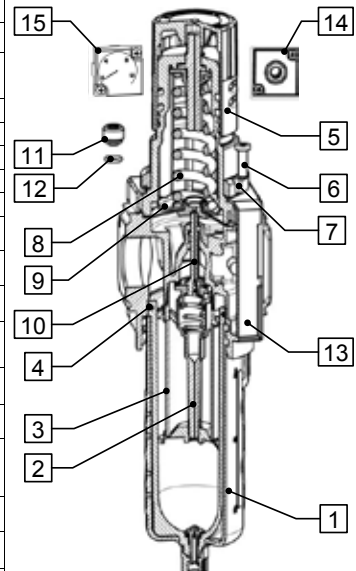
Spare Parts FILTER-REGULATORS Series MX

Pos.	Drawing	Description	MX1	MX2	MX3
1		Complete bowl with semiautomatic-manual drain		MX2-F2-P	MX3-F2-P
-		Complete bowl with automatic drain		MX2-F2/1-P	MX3-F2/1-P
-		Automatic drain		C238-FSA2	C238-FSA2
-		Complete bowl with depressuration drain		NA	NA
-		Seal for depressuration drain		NA	NA
-		Shutter poppet for depressuration drain		NA	NA
-		Complete bowl with filter protected depressuration drain		MX2-F2/3-P	NA
-		Complete bowl with port 1/8, without drain		MX2-F2/2-P	MX3-F2/2-P
2		Complete filtering element 25µ		C2-F11/3	MX3-F7-P
		Complete filtering element 5µ		C2-F12/3	MX3-F8-P
3		Filtering element 25µ		C238-F11/3	MX3-F7
		Filtering element 5µ		C238-F12/3	MX3-F8
4		Standard bowl O-ring		OR 3193 NBR	OR 3212 NBR
5		Complete bell with regulation screw		MX2-R2-P	MX3-R2-P









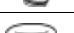
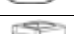



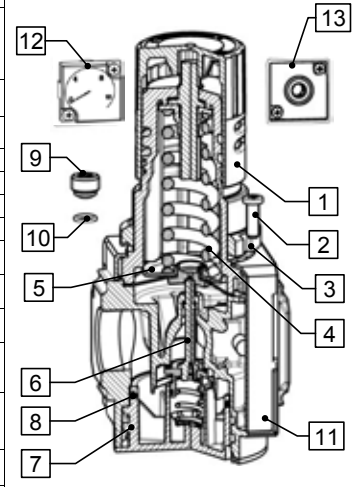
Spare Parts FILTER-REGULATORS Series MX

Pos.	Drawing	Description	MX1	MX2	MX3
6		Bell fixing screw		C238-R28/1	MX3-R28
7		Panel nut		MC238-R27	MX3-R6
8		Spring 1 bar		NA	NA
		Spring 2 bar		NA	NA
		Spring 4 bar		MX2-R16	MX3-R16
		Spring 7 bar		MX2-R16/1	NA
		Spring 10 bar		MX2-R17	MX3-R17
9		Complete standard diaphragm		MX2-R10-P	MX3-R10-P
		Complete diaphragm non-relieving		MX2-R10/1-P	MX3-R10/1-P
		Complete diaphragm with controlled leak		NA	NA
10		Complete standard poppet valve		MX2-R7/1-P	MX3-R7/1-P
11		Rear screw for pressure gauge connection		MC104-R9	MX3-R27
12		O-ring seal		C104-F30/1	558-33/2
13		Protection body with holes		MX2-R4	MX3-R4
14		Complete Block		MX2-R26/1-P	MX3-R26/1-P
		Threaded block without plug		MX2-R26/2-P	MX3-R26/2-P
15		Complete 0-12 pressure gauge		MX3-R30-P	MX3-R30-P
		Complete 0-6 pressure gauge		MX3-R31-P	MX3-R31-P
		Complete 0-10 pressure gauge		MX3-R32-P	NA





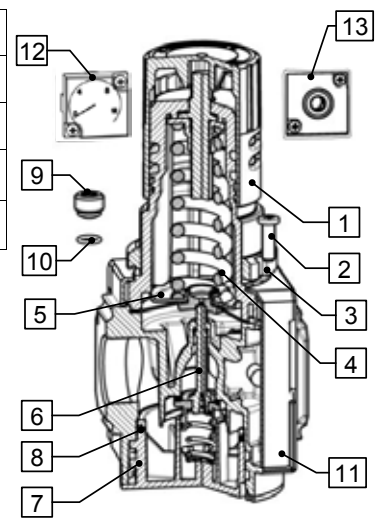
Spare Parts REGULATORS Series MX

Pos.	Drawing	Description	MX1	MX2	MX3
1		Complete bell with regulation screw		MX2-R2-P	MX3-R2-P
2		Bell fixing screw		C238-R28/1	MX3-R28
3		Panel nut		MC238-R27	MX3-R6
4		Spring 2 bar		NA	NA
		Spring 4 bar		MX2-R16	MX3-R16
		Spring 7 bar		MX2-R16/1	NA
		Spring 10 bar		MX2-R17	MX3-R17
5		Complete standard diaphragm		MX2-R10-P	MX3-R10-P
		Complete diaphragm non-relieving		MX2-R10/1-P	MX3-R10/1-P
		Complete diaphragm with controlled leak		NA	NA
6		Complete standard poppet valve		MX2-R7/1-P	MX3-R7/1-P
7		Complete valve bearing tap		MX2-R3-P	MX3-R3-P
8		Standard bowl O-Ring		OR 3193 NBR	OR 3212 NBR
9		Rear screw for pressure gauge connection		MC104-R9	MX3-R27
10		O-ring seal		C104-F30/1	558-33/2
11		Protection body with holes		MX2-R4	MX3-R4




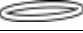




Spare Parts REGULATORS Series MX

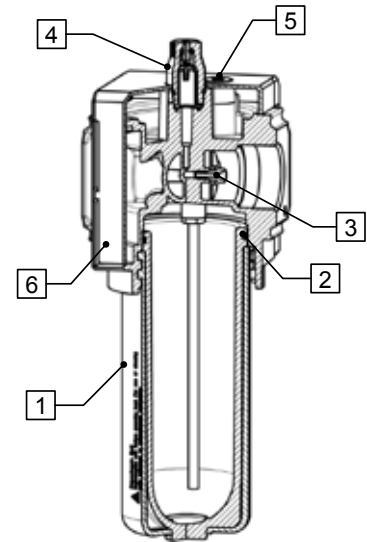
12		Complete 0-12 pressure gauge		MX3-R30-P	MX3-R30-P
		Complete 0-6 pressure gauge		MX3-R31-P	MX3-R31-P
		Complete 0-10 pressure gauge		MX3-R32-P	NA
13		Complete threaded block		MX2-R26/1-P	MX3-R26/1-P
		Threaded block		MX2-R26/2-P	MX3-R26/2-P




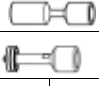









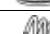
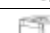
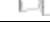
SPARE PARTS AND SEAL KITS

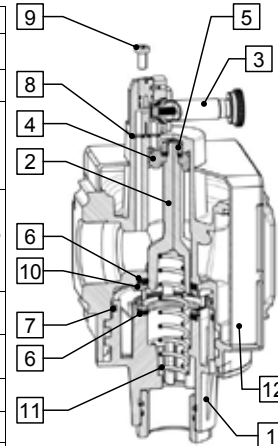
Spare Parts LUBRICATORS Series MX

Pos.	Drawing	Description	MX1	MX2	MX3
1		Complete bowl		MX2-L2-P	MX3-L2-P
2		Standard bowl O-ring		OR 3193 NBR	OR 3212 NBR
3		Complete diaphragm		C202-L6	MX3-L5-P
4		Complete lubricator cap		MC1-L24	MC1-L24
5		Complete oil refilling tap		MC2-L3	MC2-L3
6		Protection body without holes		MX2-L4	MX2-L4

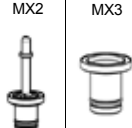







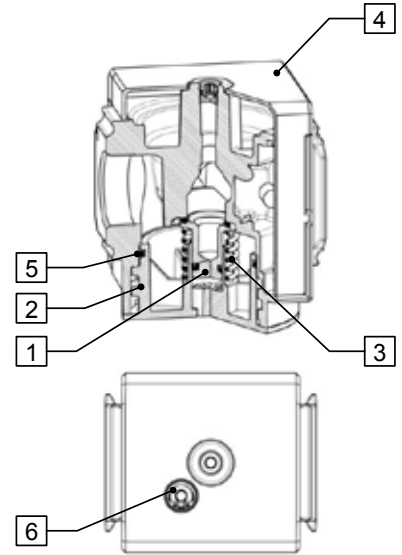
Spare Parts ELECTRONIC SHUT-OFF VALVES Series MX

Pos.	Drawing	Description	MX1	MX2	MX3
1		GAS ISO-228		MX2-V3-P	MX3-V3-P
		NPTF		MX2-V3-P-TF	MX3-V3-P-TF
2		V16 valve spool		MX2-V5	MX3-V5-P
3	 	Solenoid pilot End cover (Only for electropneumatic)		454-011/15C	A531-BC2-111C
		Air-Pilot End cover		454-33/28	MX3-V12
4		Piston		454-33/23	25-31/2R
5		Piston DE lip seal		454-33/6	NA
6		Spool lip seal "Z" profile Seal		452-33/8	MX3-V7
7		Valve end cover standard O-Ring		OR 3193NBR	OR 3212 NBR
8	 	Pilot seal		454-33/7	600-400/5
9		Pilot assembly screw		C104-R28	458-33/9
10		Valve Spacer		MX2-V6	MX3-V6
11		Valve spring		MC238-V6	MX3-V10
12		Protection body without holes		MX2-V4	MX3-V4







Spare Parts SOFT-START VALVES Series MX

Pos.	Drawing	Description	MX1	MX2	MX3
1		Complete Poppet Valve		MX2-AV2-P	MX3-AV2-P
2		Complete Valve bearing end cover		MX2-AV3-P	MX3-AV3-P
3		Soft start valve spring		MX2-AV5	MX3-AV5
4		Protection body cover without holes		MX2-L4	MX3-L4
5		Soft Start end cover O-Ring		OR 3193 NBR	OR 3212 NBR
6		Complete Regulation Screw		MX2-AV6-P	MX3-AV6-P



Spare Parts REGULATORS Series T

Pos.	Drawing	Description	T108/T104
1		Activating element	MC104-R24
2		Panel nut	MC104-R22
3		Rear screw for pressure gauge connection	MC104-R9
4		Special O-ring seal	C104-F30/1

